

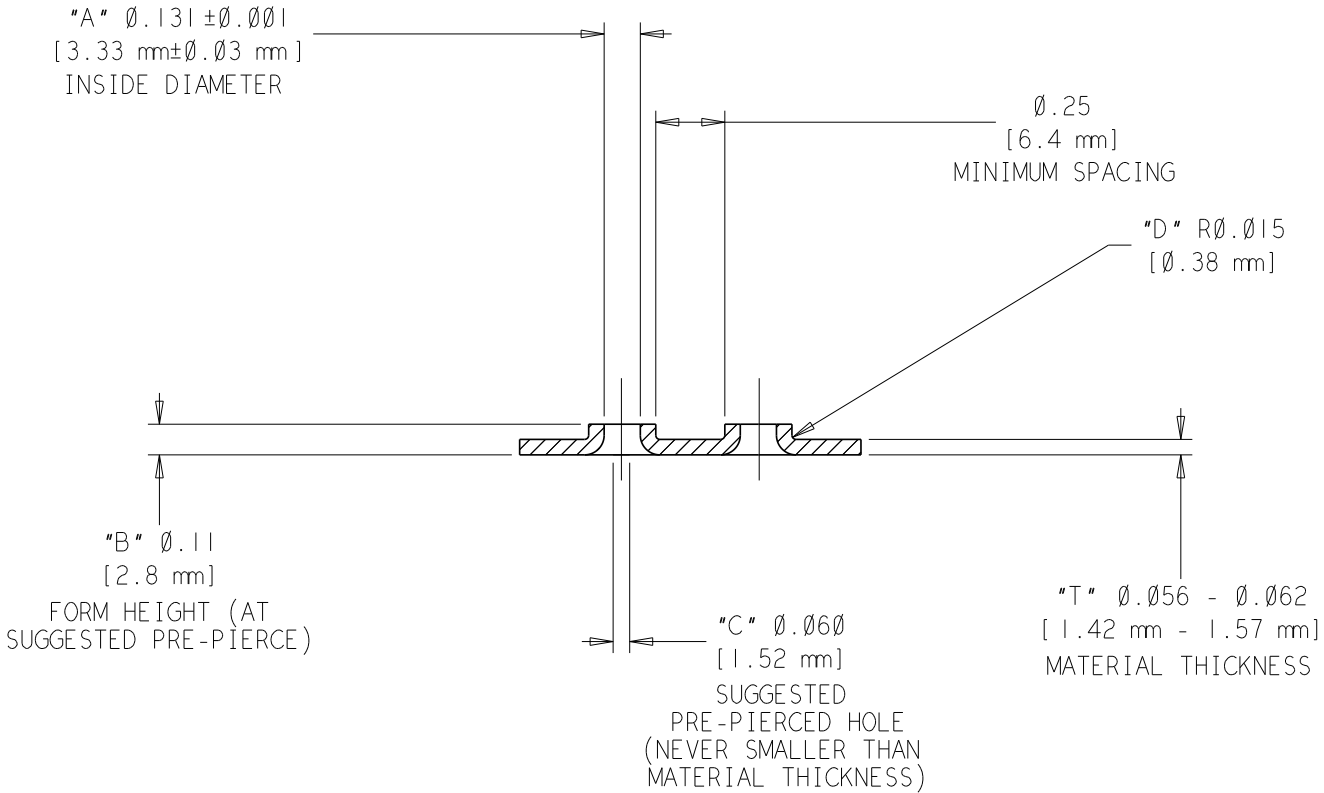


TRUMPF SIZE 2 EXTRUSION
 ROUND UP M4 FOR $\emptyset.059(1.50)$
 MATERIAL FORM DRAWING

ECO #	REV:	REV. DATE:	REVISED BY:
E101671	A	08/01/05	GSF

UNLESS OTHERWISE SPECIFIED
 DECIMALS ANGLES
 .XX= $\pm .01$ X= $\pm 5^\circ$
 .XXX= $\pm .005$.X= $\pm .5^\circ$
 INSIDE CORNERS R. $03\pm .01$
 OUTSIDE EDGES R. $02\pm .01$
 OR $.02\pm .01 \times 45^\circ \pm 5^\circ$

P.N.
 XTT2D0D191-0005
 SHEET 1 OF 1
 DWG :



Visit mate.com/stockspecials for complete information