

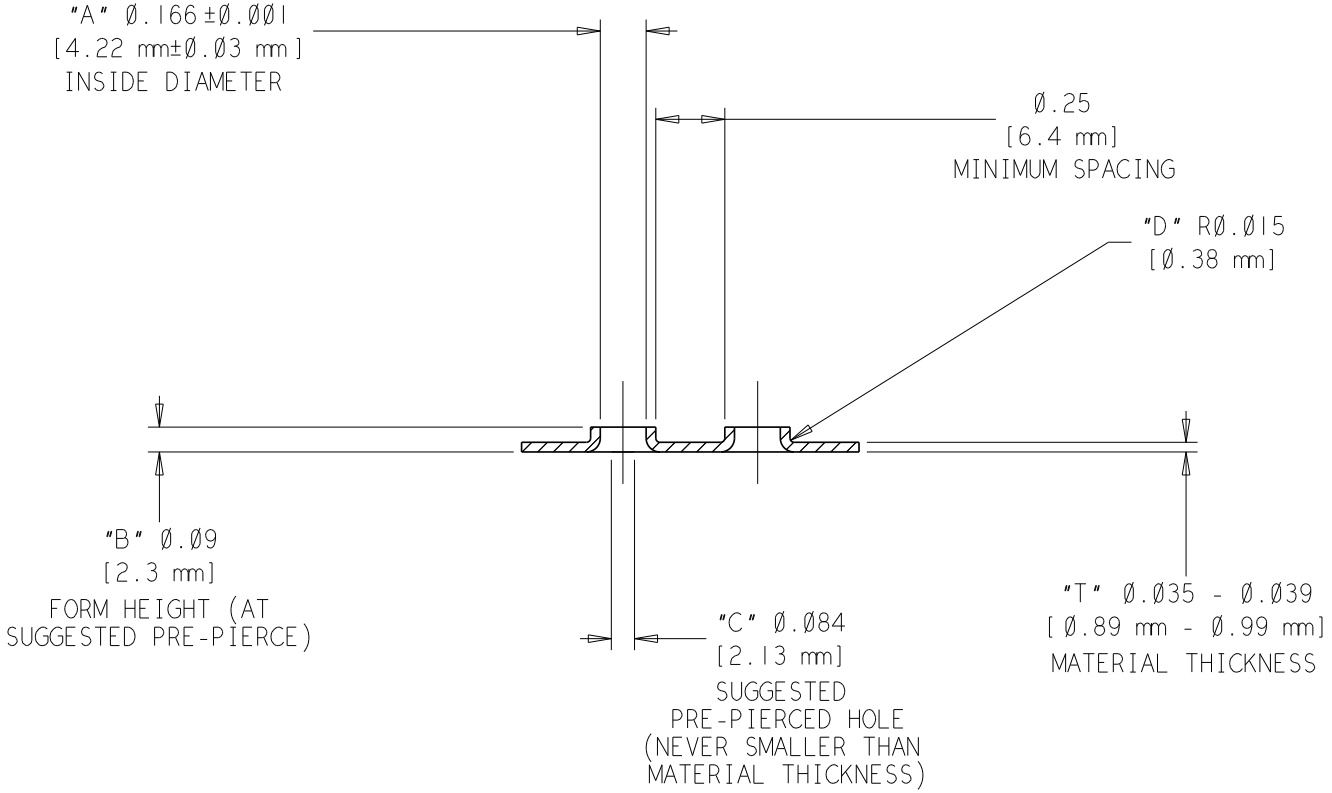


TRUMPF SIZE 2 EXTRUSION
ROUND UP M5 FOR $\varnothing.036(\varnothing.90)$
MATERIAL FORM DRAWING

ECO #	REV:	REV. DATE:	REVISED BY:
E101671	A	08/01/05	GSF

UNLESS OTHERWISE SPECIFIED
DECIMALS ANGLES
.XX=±.01 X=±5°
.XXX=±.005 .X=±.5°
INSIDE CORNERS R.03±.01
OUTSIDE EDGES R.02±.01
OR .02±.01 X 45°±5°

P.N.
XTT2D0D191-0004
SHEET 1 OF 1
DWG :



Visit mate.com/stockspecials for complete information