

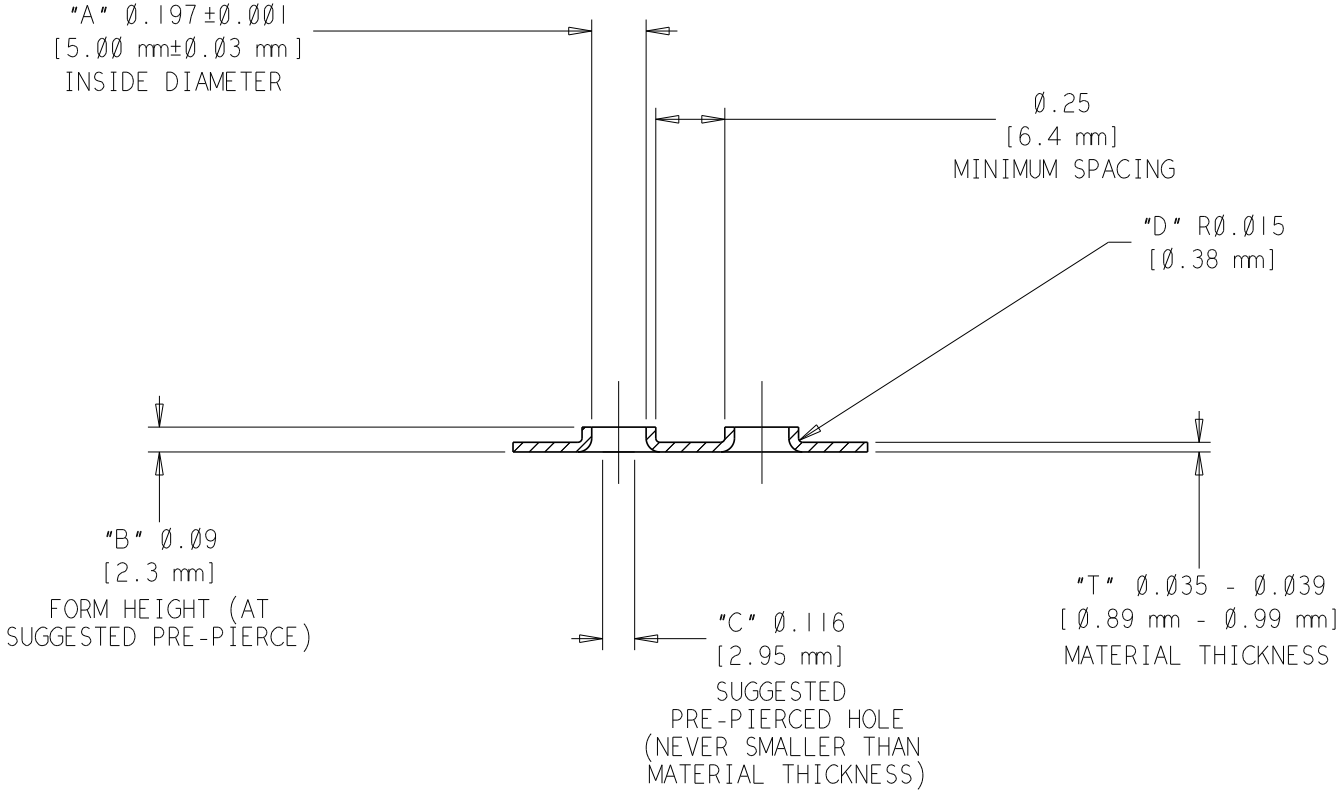


TRUMPF SIZE 2 EXTRUSION
 ROUND UP M6 FOR $\emptyset.036(\emptyset.90)$
 MATERIAL FORM DRAWING

ECO #	REV:	REV. DATE:	REVISED BY:
E101671	A	08/01/05	GSF

UNLESS OTHERWISE SPECIFIED
 DECIMALS ANGLES
 .XX=±.01 X=±5°
 .XXX=±.005 .X=±.5°
 INSIDE CORNERS R.03±.01
 OUTSIDE EDGES R.02±.01
 OR .02±.01 X 45°±5°

P.N.
 XTT2D0D191-0002
 SHEET 1 OF 1
 DWG :



Visit mate.com/stockspecials for complete information