



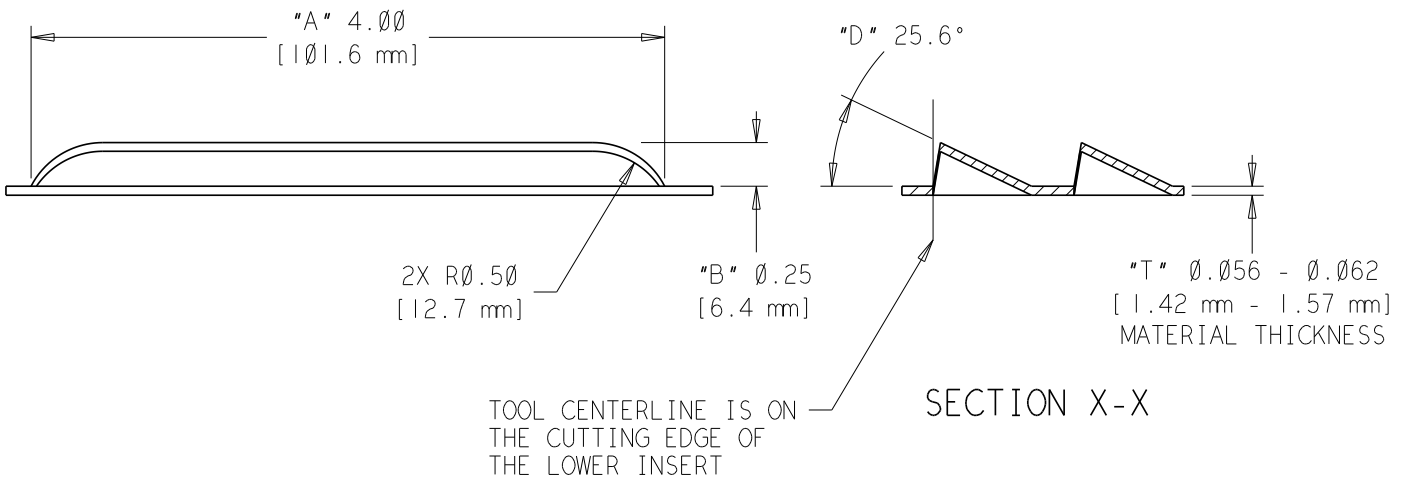
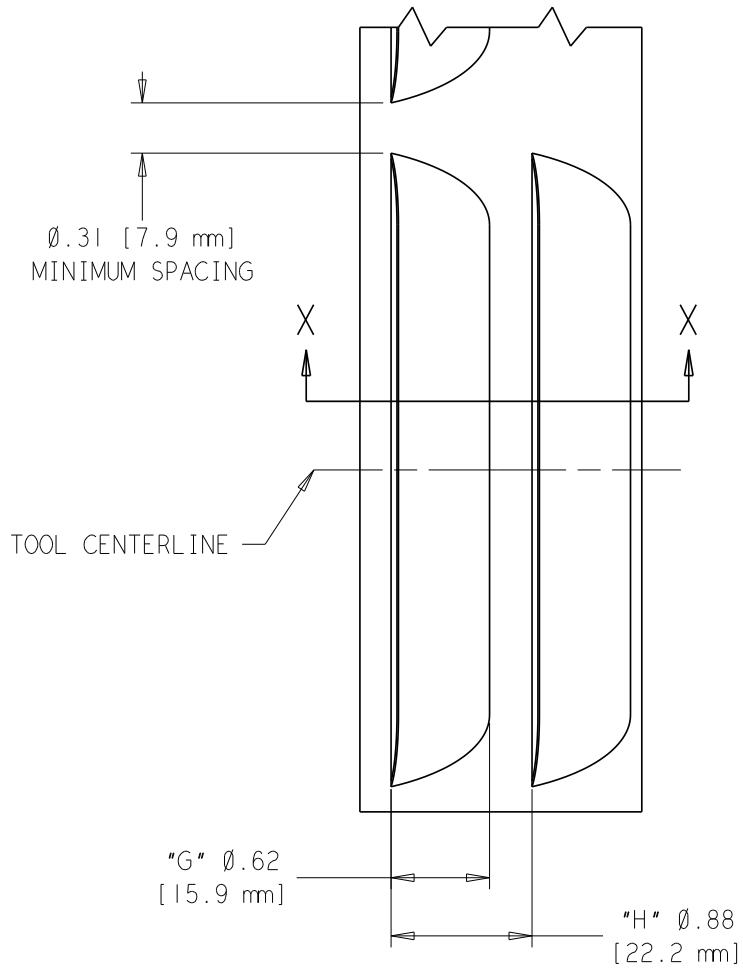
ULTRAFORM E STATION LOUVER
CLOSED STRAIGHT BACK
4.000 (101.60) LONG FOR
Ø.059 (1.50) MATERIAL FORM DRAWING

ECO #	REV:	REV. DATE:	REVISED BY:
E101616	A	06/01/05	GSF

UNLESS OTHERWISE SPECIFIED
DECIMALS ANGLES
.XX=±.01 X=±5°
.XXX=±.005 .X=±.5°
INSIDE CORNERS R.03±.01
OUTSIDE EDGES R.02±.01
OR .02±.01 X 45°±5°

P.N.
XAVEDØLD91-0001

SHEET 1 OF 1	DWG :
-----------------	-------



Visit mate.com/stockspecials for complete information