



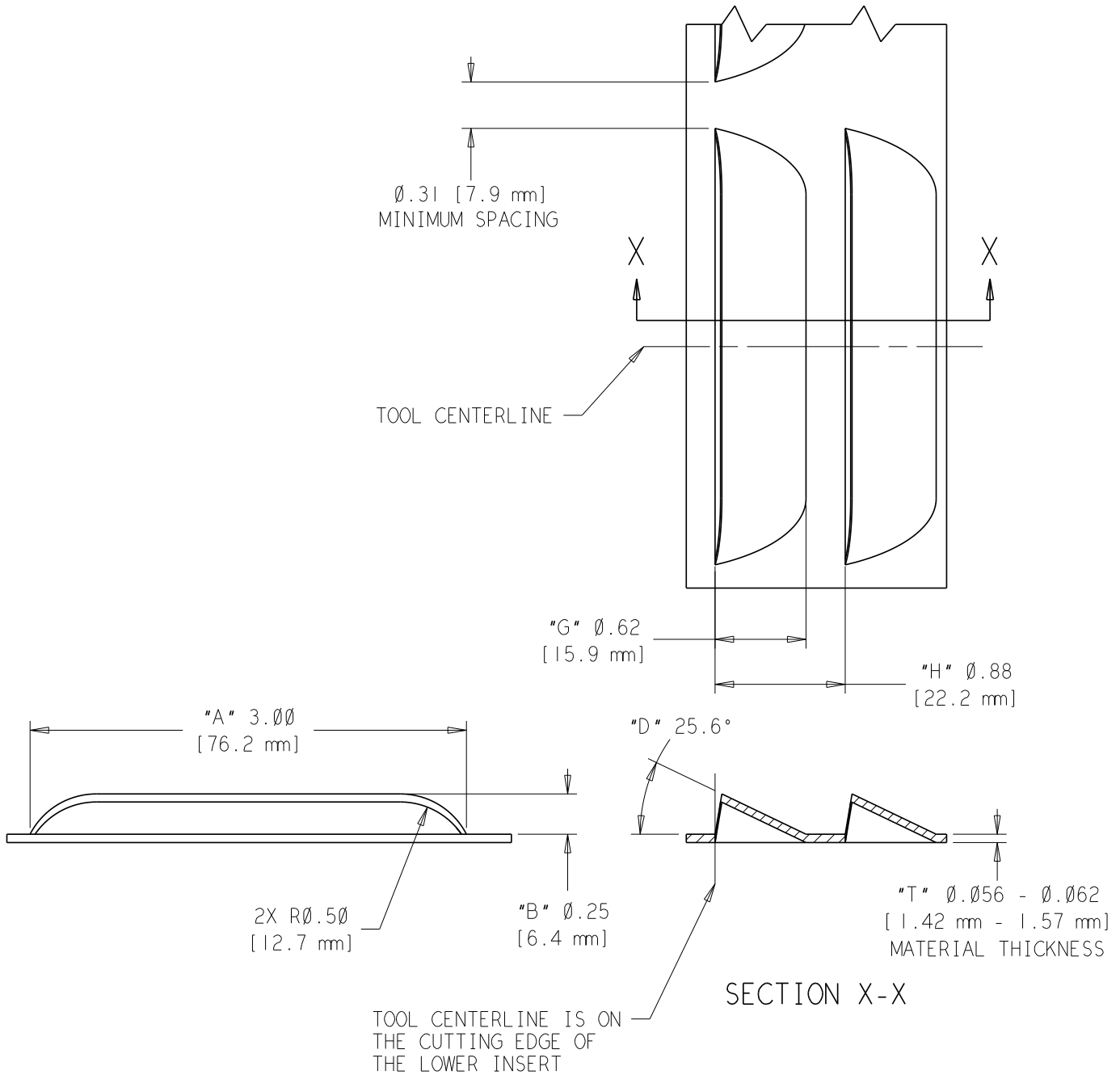
ULTRAFORM D STATION LOUVER
CLOSED STRAIGHT BACK
3.000 (76.20) LONG FOR
Ø.059 (1.50) MATERIAL FORM DRAWING

UNLESS OTHERWISE SPECIFIED
DECIMALS ANGLES
.XX=±.01 X=±5°
.XXX=±.005 .X=±.5°
INSIDE CORNERS R.Ø3±.01
OUTSIDE EDGES R.Ø2±.01
OR .02±.01 X 45°±5°

P.N.
XAVDDØLD91-0002

ECO #	REV:	REV. DATE:	REVISED BY:
E1Ø1616	A	05/31/05	GSF

SHEET	DWG :
1 OF 1	



Visit mate.com/stockspecials for complete information