



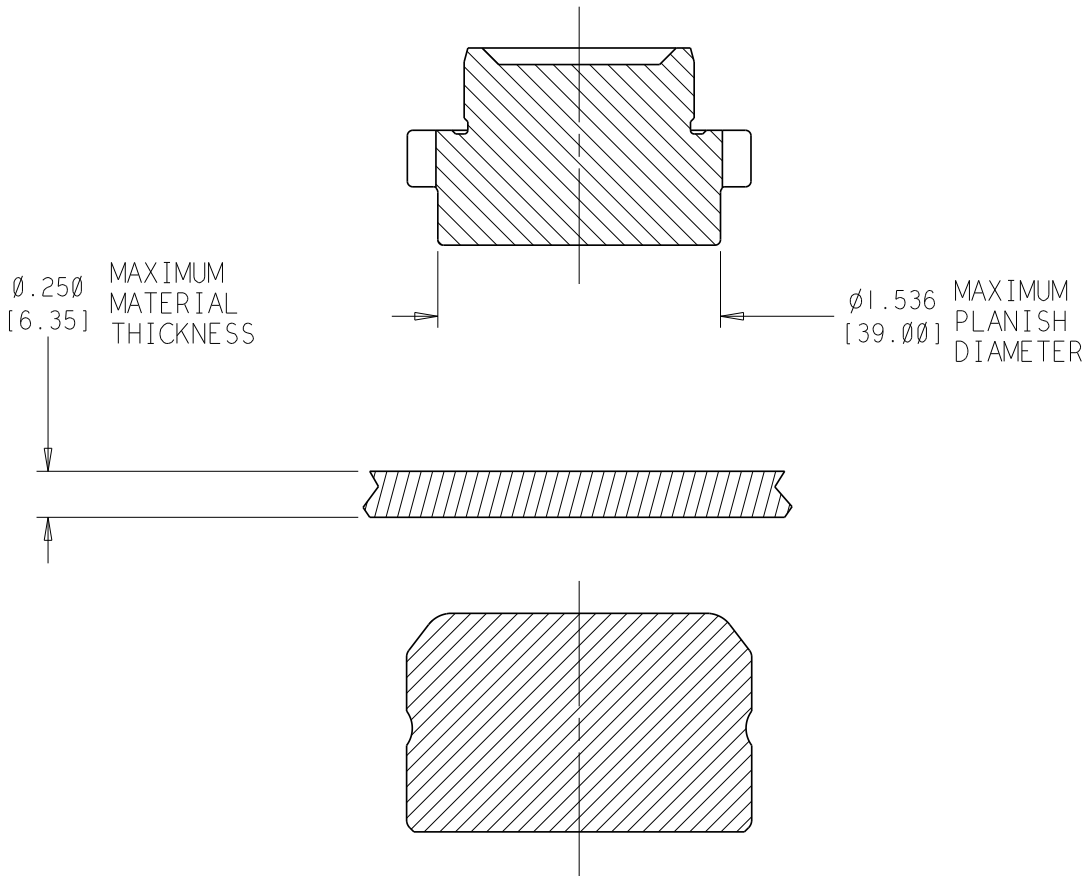
MATE
PRECISION
TOOLING

ULTRAFORM B STATION
PLANISH TOOL 1.536(39.01) DIAMETER
FORM DRAWING

ECO #	REV:	REV. DATE:	REVISED BY:
E101616	A	06/02/05	PRL

UNLESS OTHERWISE SPECIFIED
DECIMALS ANGLES
.XX=±.01 X=±5°
.XXX=±.005 .X=±.5°
INSIDE CORNERS R.03±.01
OUTSIDE EDGES R.02±.01
OR .02±.01 X 45°±5°

P.N.
XAVBD0V191-0001
SHEET 1 OF 1
DWG :



Visit mate.com/stockspecials for complete information