

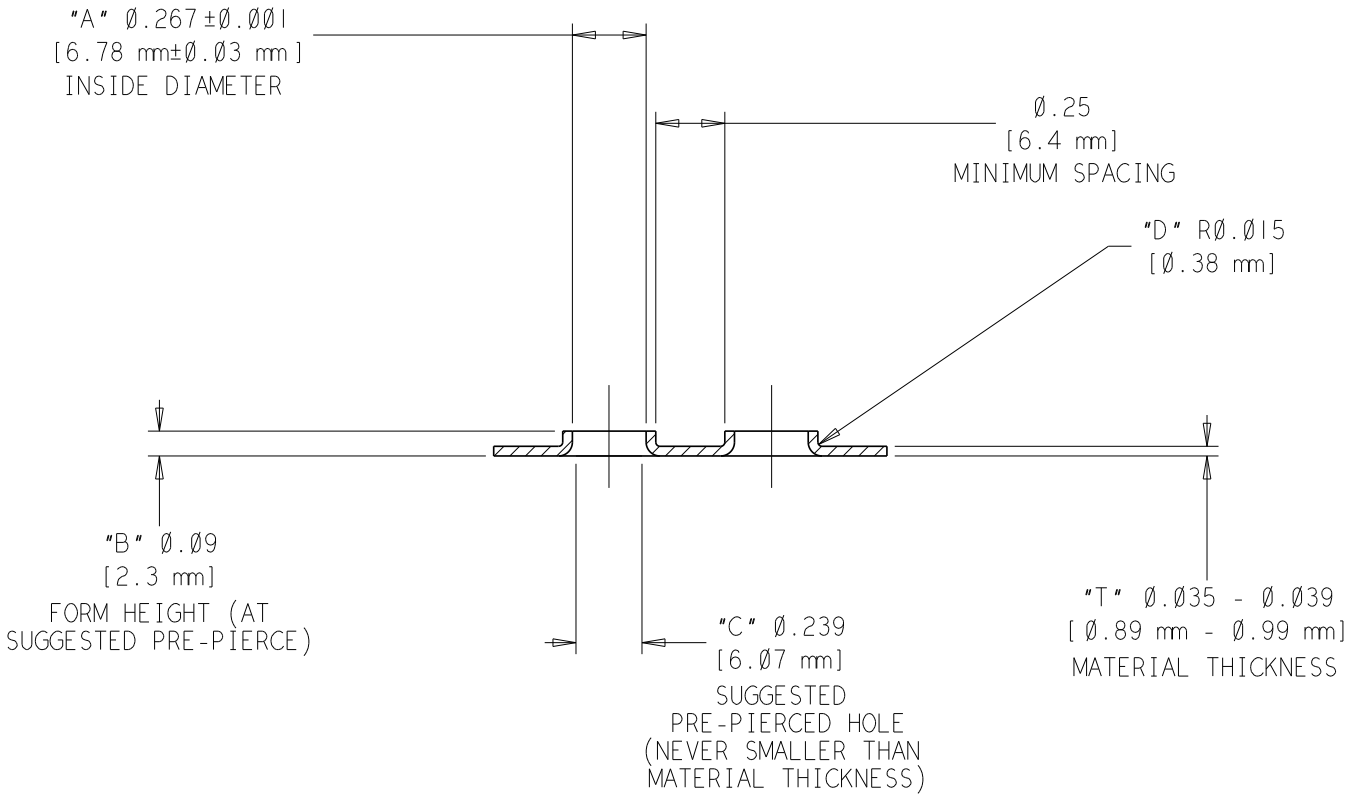


ULTRAFORM B STATION EXTRUSION
ROUND UP M8 FOR $\emptyset.036(\emptyset.90)$
MATERIAL FORM DRAWING

| ECO # | REV: | REV. DATE: | REVISED BY: |
|---------|------|------------|-------------|
| E101616 | A | 05/10/05 | GSF |

UNLESS OTHERWISE SPECIFIED
DECIMALS ANGLES
.XX=±.01 X=±5°
.XXX=±.005 .X=±.5°
INSIDE CORNERS R.03±.01
OUTSIDE EDGES R.02±.01
OR .02±.01 X 45°±5°

P.N.
XAVBD0D191-0012
SHEET 1 OF 1
DWG :



Visit mate.com/stockspecials for complete information