



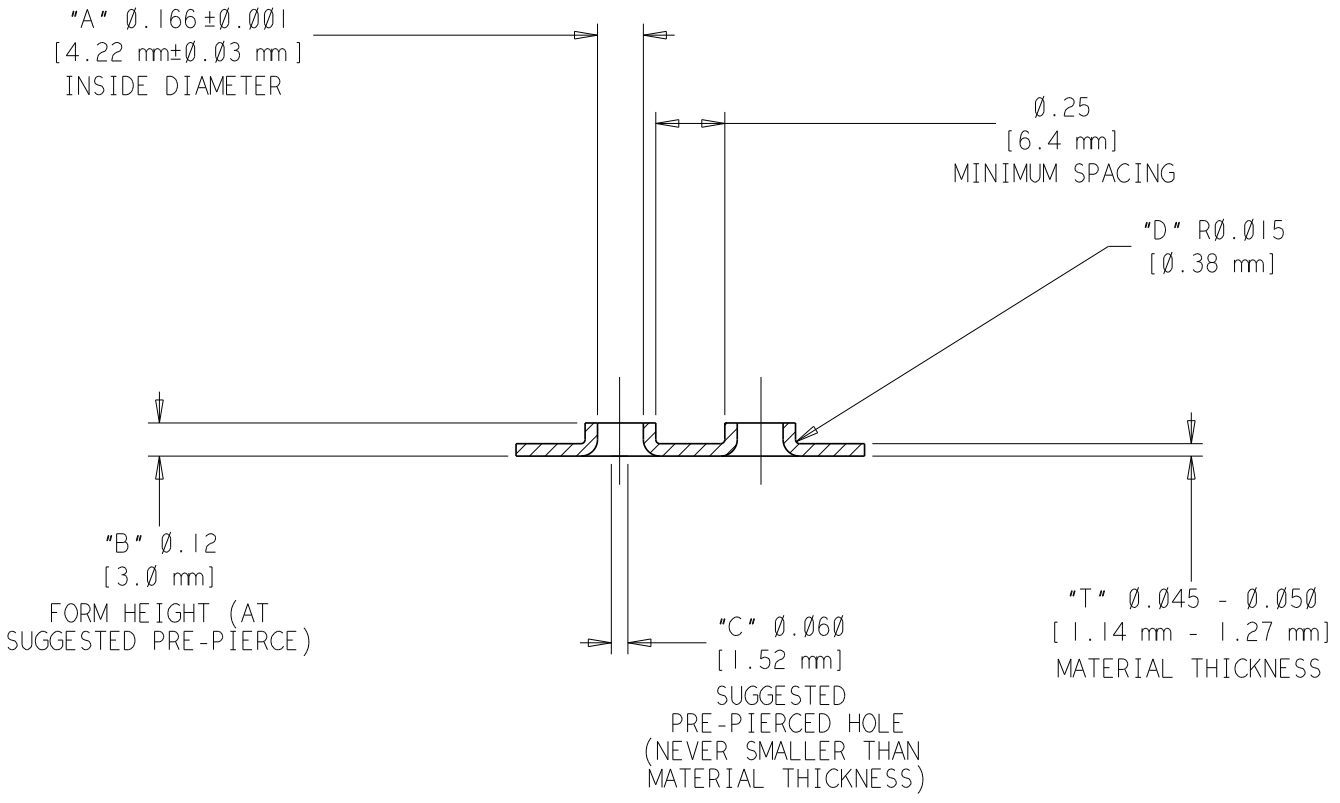
ULTRAFORM B STATION EXTRUSION
 ROUND UP M5 FOR $\emptyset.048(1.20)$
 MATERIAL FORM DRAWING

ECO #	REV:	REV. DATE:	REVISED BY:
E101616	A	05/10/05	GSF

UNLESS OTHERWISE SPECIFIED
 DECIMALS ANGLES
 .XX=±.01 X=±5°
 .XXX=±.005 .X=±.5°
 INSIDE CORNERS R.03±.01
 OUTSIDE EDGES R.02±.01
 OR .02±.01 X 45°±5°

P.N.
 XAVBD0D191-0006

SHEET 1 OF 1	DWG :
-----------------	-------



Visit mate.com/stockspecials for complete information