

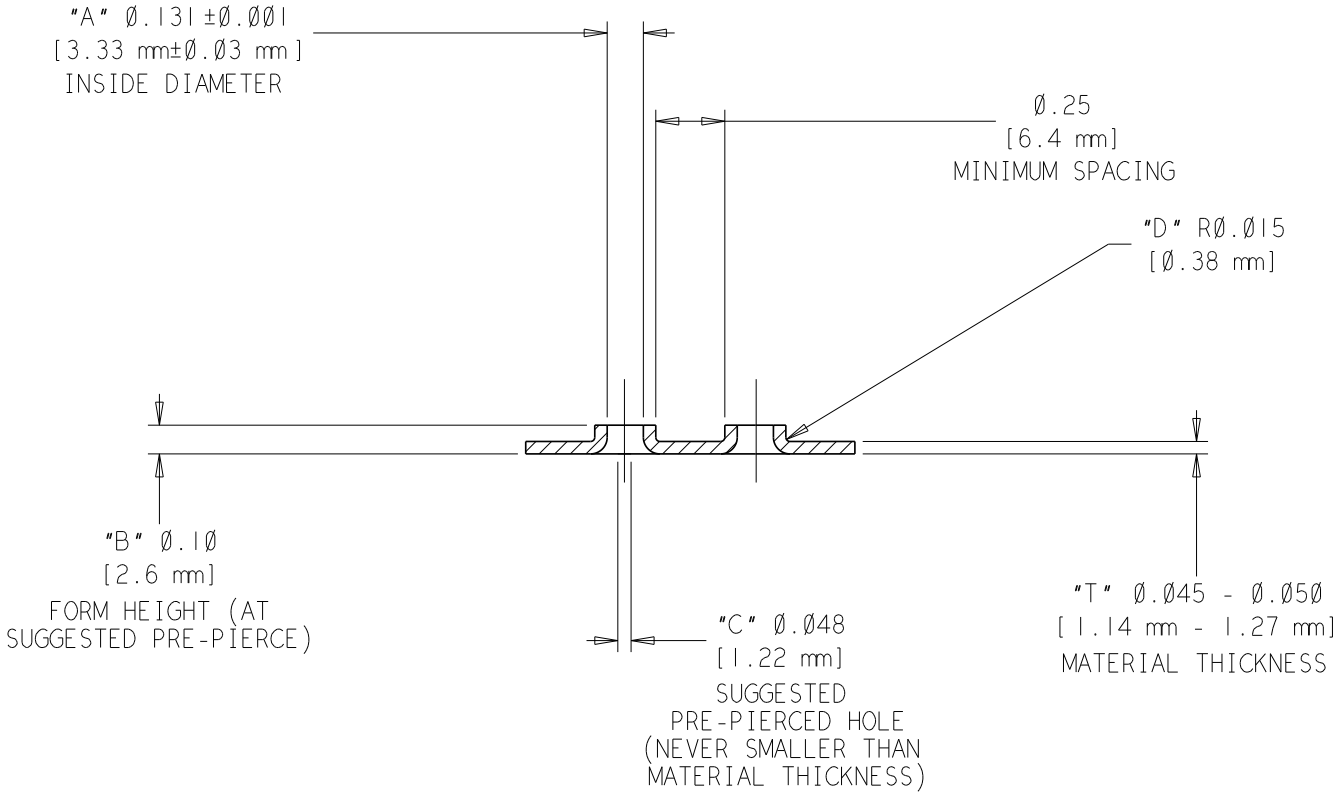


ULTRAFORM B STATION EXTRUSION
ROUND UP M4 FOR $\emptyset.048(1.20)$
MATERIAL FORM DRAWING

ECO #	REV:	REV. DATE:	REVISED BY:
E101616	A	05/10/05	GSF

UNLESS OTHERWISE SPECIFIED
DECIMALS .XX= $\pm.01$
.XXX= $\pm.005$
ANGLES X= $\pm 5^\circ$
.X= $\pm .5^\circ$
INSIDE CORNERS R. $03\pm.01$
OUTSIDE EDGES R. $02\pm.01$
OR $.02\pm.01 \times 45^\circ\pm 5^\circ$

P.N.
XAVBD0D191-0003
SHEET 1 OF 1
DWG :



Visit mate.com/stockspecials for complete information